

AIDA

26000

Technical catalogue
Catalogo tecnico
Technischer Katalog



Battioni®
Pagani

Setting the pace since 1953

Battioni Pagani Pompe S.p.A.

Via Enzo Ferrari, 2
43058 Sorbolo (PR) - Italy

Ph. +39 0521 663203

Fax +39 0521 663206



www.bapag.it
info@bapag.it





Battioni®
Pagani

Setting the pace since 1953

Integrated Air suction filter: filtration in every working condition.

Designed to be operated with cold air and never under pressure: high durability

Filtro integrato in aspirazione: filtrazione in ogni condizione di lavoro.

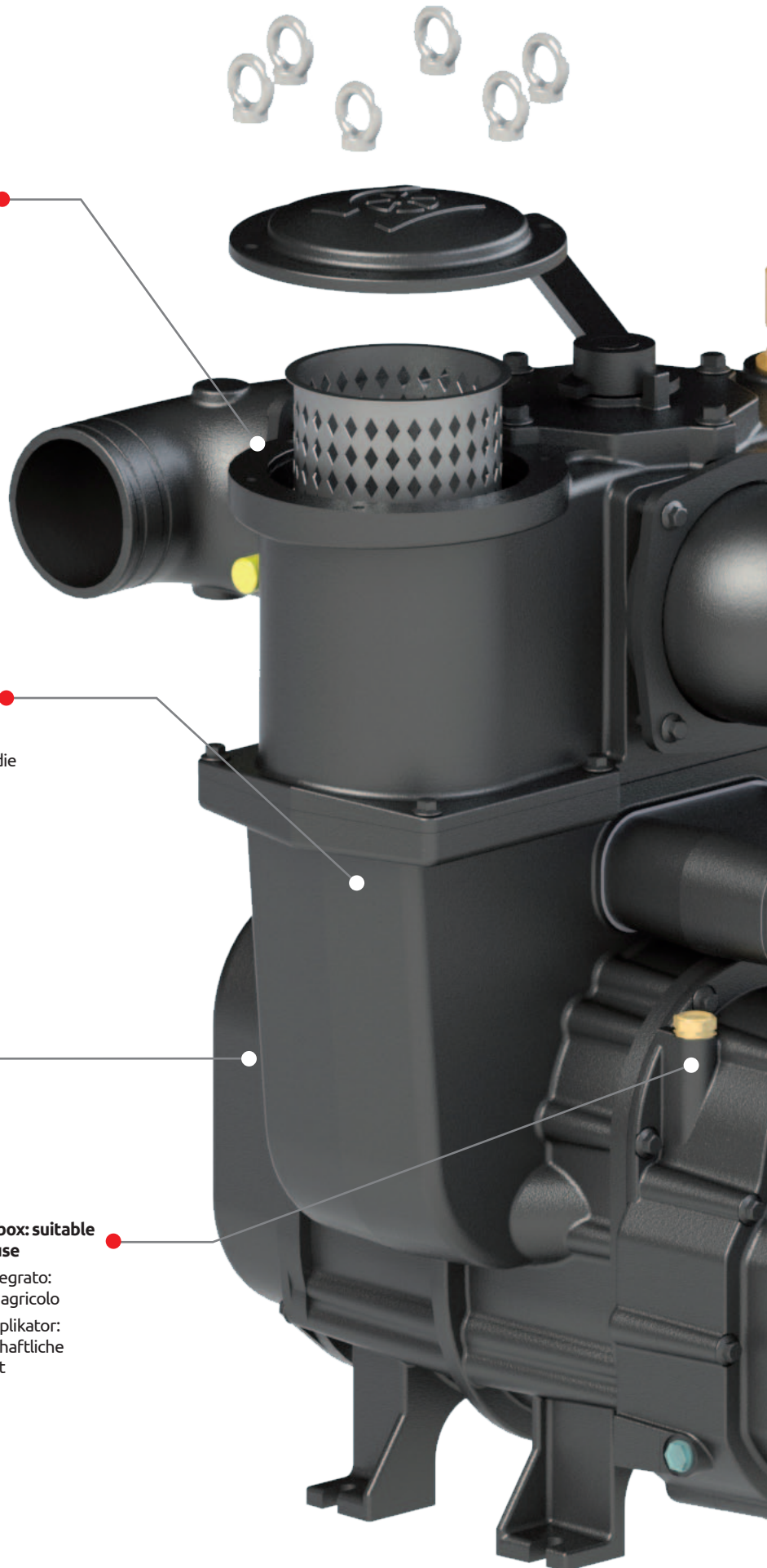
Operante su aria fredda e mai in pressione: elevata durata

Integrierter Absaugfilter: Filtration in allen

Arbeitsbedingungen ohne Zusatz von Ventilen im System.

Funktioniert mit Hilfe kalter Luft und nie unter Druck: Hohe

Lebensdauer



Flow sections designed to minimize load losses and heating

Sezioni di passaggio studiate per minimizzare perdite di carico e riscaldamento

Die Abschnitte wurden so ausgelegt, dass der Druckverlust und die Gefahr der Überhitzung minimiert werden

Easy back disassembly

Smontaggio posteriore facilitato

Der Abbau des Hinterteil ist erleichtert

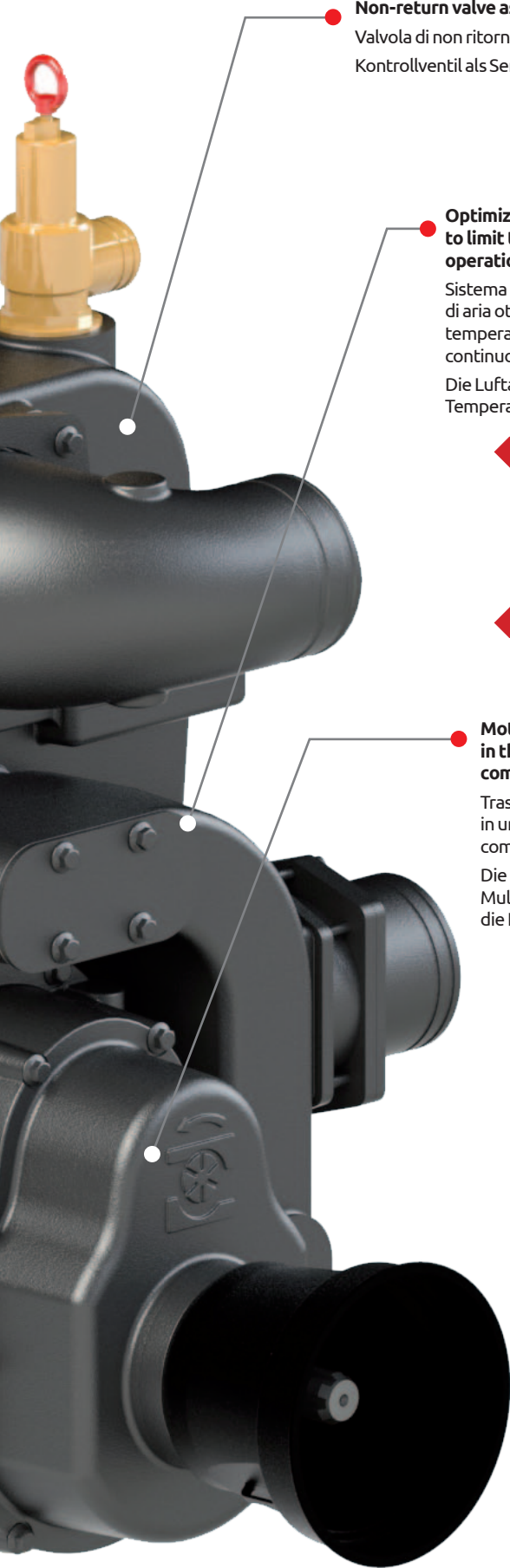
Integrated Gearbox: suitable for agricultural use

Moltiplicatore integrato: adatto ad utilizzo agricolo

Integrierter Multiplikator: für die landwirtschaftliche Nutzung geeignet



**AIR INJECTION
COOLED - ROTARY
LOBE PUMP**



● **Non-return valve as series**
Valvola di non ritorno di serie
Kontrollventil als Serie

● **Optimized air injection cooling system to limit the temperature: continuous operation**

Sistema raffreddamento ad iniezione di aria ottimizzato per contenimento temperature: funzionamento in continuo

Die Luftabkühlung sorgt für niedrige Temperaturen: Dauerbetrieb



● **Motion transmission and multiplier in the same gearbox to increase the compactness**

Trasmissione moto e moltiplicatore in unica scatola per aumentare la compattezza

Die Bewegungsübertragung und der Multiplikator ist in einem Gehäuse um die Kompaktheit zu erhöhen

VERSIONS



AIDA - MA



Air injection cooled - Rotary Lobe pump

The picture is only for informative purpose.
See the table on page 81 for the complete list of the available options.

AIDA

AIDA does not require either liquid cooling system or lubrication: even the discharged air into the atmosphere is free of pollutants such as oil, resins etc ...

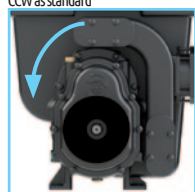
The pumping capacity is obtained by an accurate control of clearance between rotors and between each rotor and blower housing: since tolerances are very tight we need to make sure to prevent any external solid element to enter the pumping chamber.

The blower inlet has an internal filter to block all foreign objects that could damage it.



VERSIONS

CCW as standard



Version MA

Splined shaft
1"3/8 - Z6 ISO 500

TECHNICAL DATA

	Geometrical capacity			Max rpm	Max abs pressure Bar (PSI)	Max vacuum % (inHg)	Max continuous vacuum % (inHg)	Power at max vacuum kW (HP)	Weight kg
	m ³ /h	l/min	cfm	MA					MA
AIDA 26000	1560	26000	918	1050	2 (29)	90 (26,58)	90 (26,58)	39 (52,3)	313

OPTIONALS



**Hydraulic
Changeover**
Code 6080200321



**Pneumatic
Revolving
Changeover**
Code 6080200322



Silent Block
Code 5060010022



**Kit Vacuum Relief
Valve**
Code 6080200312



**Pneumatic
controlled valve on
the injection porte**
Code 5120100024



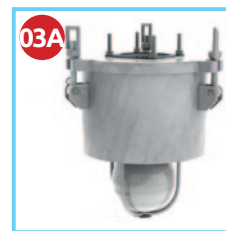
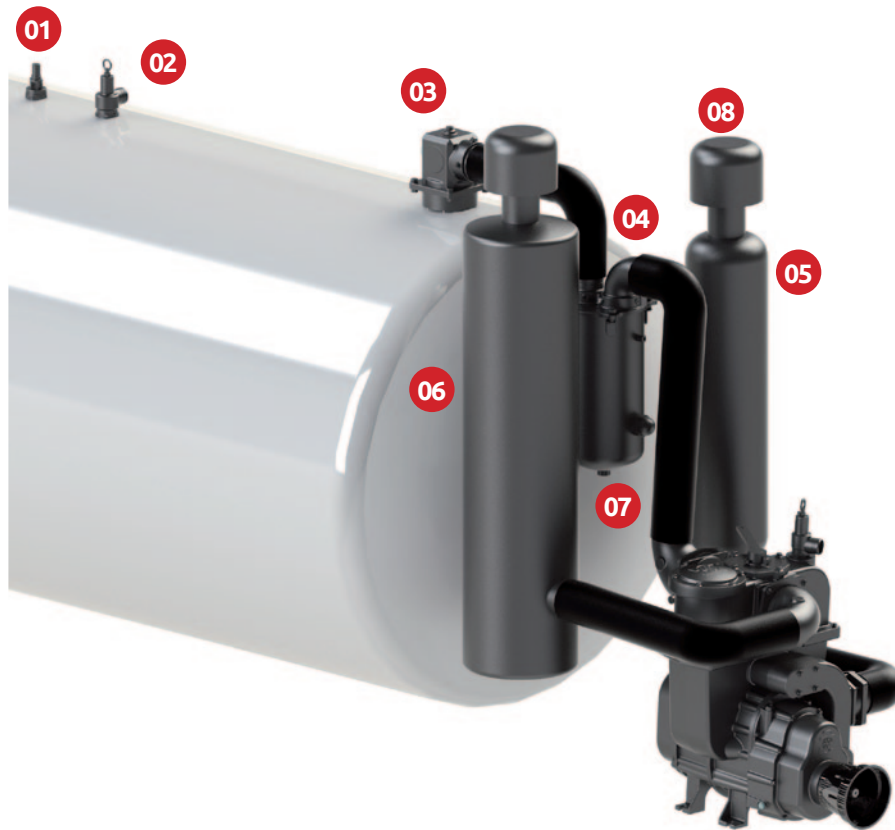
ACCESSORIES



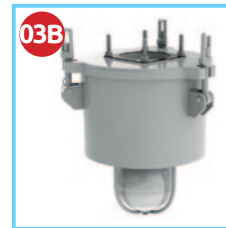
Vacuum Relief Valve 1"1/2
Code 5100200012
Setting range:
-0.3 bar / -0,8 bar
Working temperature:
-20°C / +90°C
Thread: G 1"1/2
Weight: 0,65 kg



Overpressure Safety Valve - 2"1/2
Code 5100200011
Setting range:
+0,3 bar / +1,5 bar
Working temperature:
-20°C / +90°C
Thread: G 2"1/2
Weight: 1,5 kg



Primary Shut-Off Valve Bapag 3300
Code 6100200023
Iron ring to be welded
Housing: Mild Steel
Ball: Stainless Steel AISI 304
Weight: 26 kg



Primary Shut-Off SS Valve Bapag 3300
Code 6100200031
Stainless ring to be welded
Housing: Stainless Steel AISI 304
Ball: Stainless Steel AISI 304
Connection: Ø 150 mm
Weight: 26 kg



Discharge valve - 1"1/2
Code 5040200015
To be fitted on Secondary valve

Air injection cooled - Rotary Lobe pump



Secondary Shut-Off Valve -3300
Code 6100200024
Housing: Galvanized Mild Steel
Cover: aluminum
Ball: SS AISI 304
Connection: Ø 150 mm
Weight: 55 kg



Air Injection Silencer
Code 5090000095
Hose connection: Ø 120 mm
Weight: 40 kg
Length: 1400 mm



Rain Cap
Code 5090000062
Weight: 0,4 kg



Cyclon valve -3300 SS
Code 6100200032
Housing: SS AISI 304
Cover: aluminum
Ball: SS AISI 304
Connection: Ø 150 mm
Weight: 55 kg



Exhaust Silencer
Code 5090000094
Hose connection: Ø 120 mm
Weight: 45 kg
Length: 1500 mm